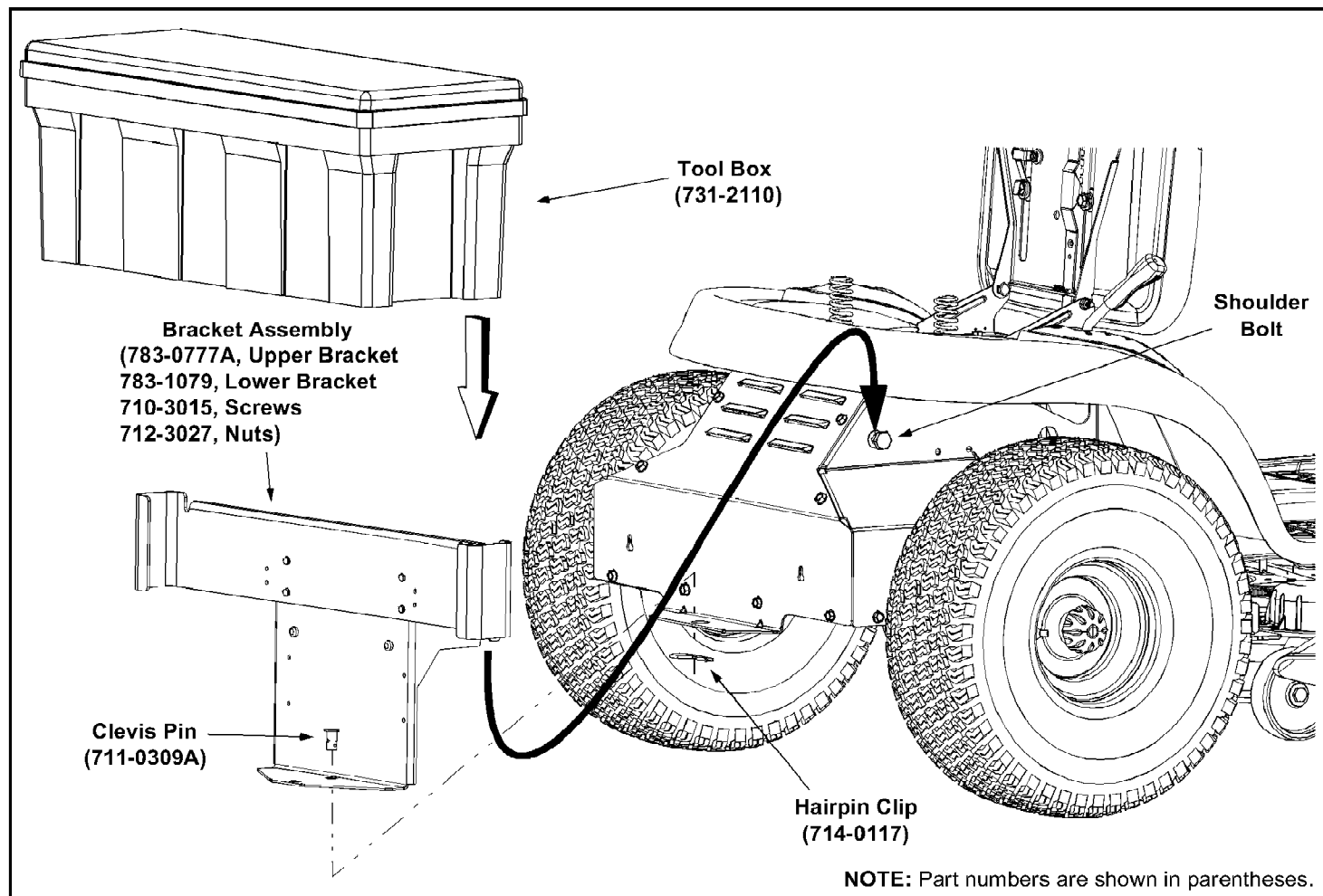


Tractor attachment 190-606 applies to *White Outdoor Products ZTT Lawn Tractors*

IMPORTANT: There are two holes found in the clevis pin. Be certain to insert the hairpin clip in the UPPER hole to properly secure the bracket assembly to the hitch plate.



190-606-101 Toolbox (2002)
Toolbox Storage Container

Page 2 of 2

Ref #	Part Number	Qty	S/P/F	Description
783-0777A	783-0777A	1	S	Upper Bracket Bracket Assembly
783-1079	783-1079	1	S	Lower Bracket Bracket Assembly
710-3015	710-3015	1	/P	Screw Bracket Assembly
712-3027	712-3027	1	S	Nuts Bracket Assembly
731-2110	731-2110	1		Tool Box
711-0309A	711-0309A	1	/P	Clevis Pin
714-0117	714-0117	1	/P	Hairpin Clip